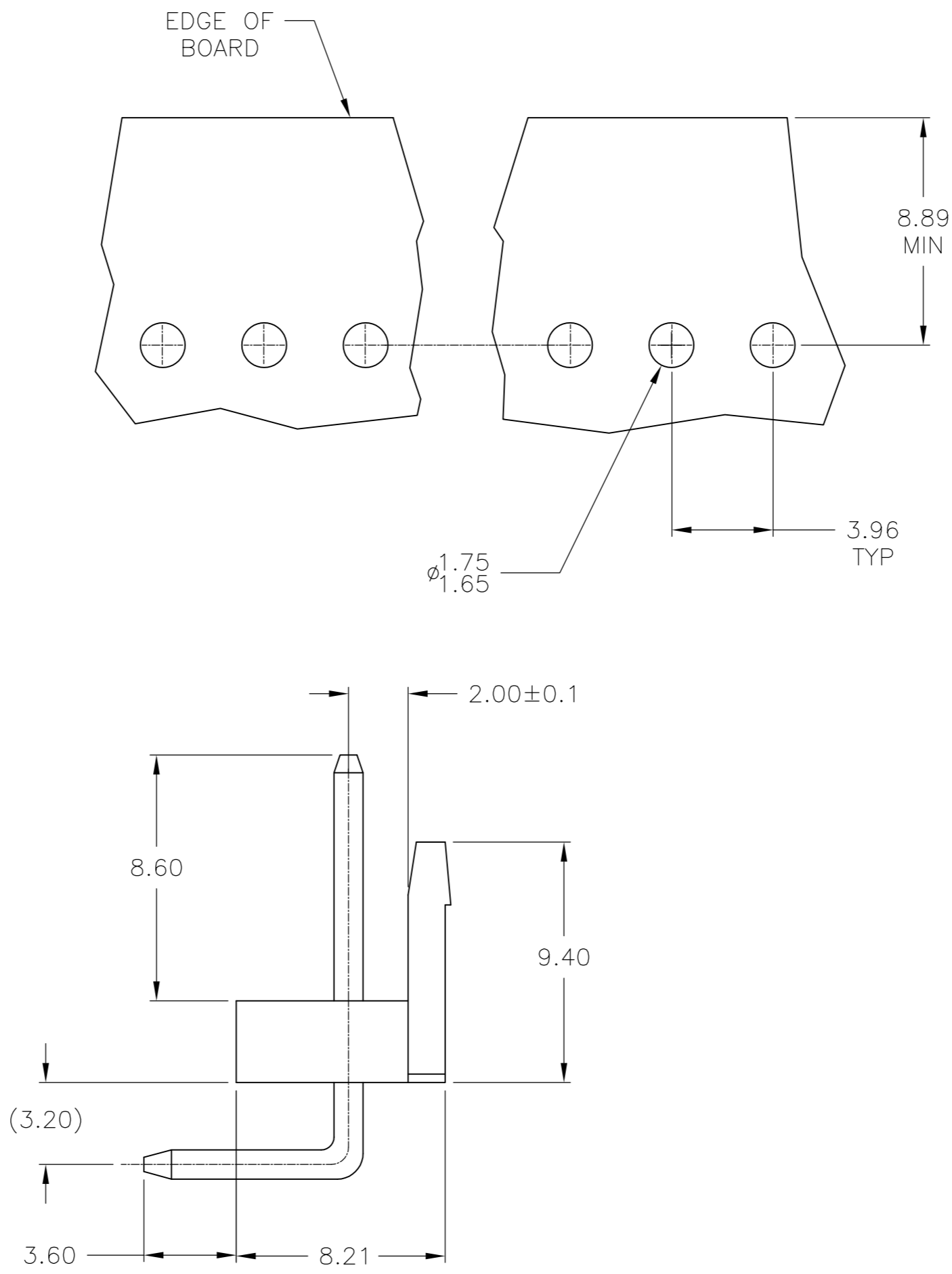
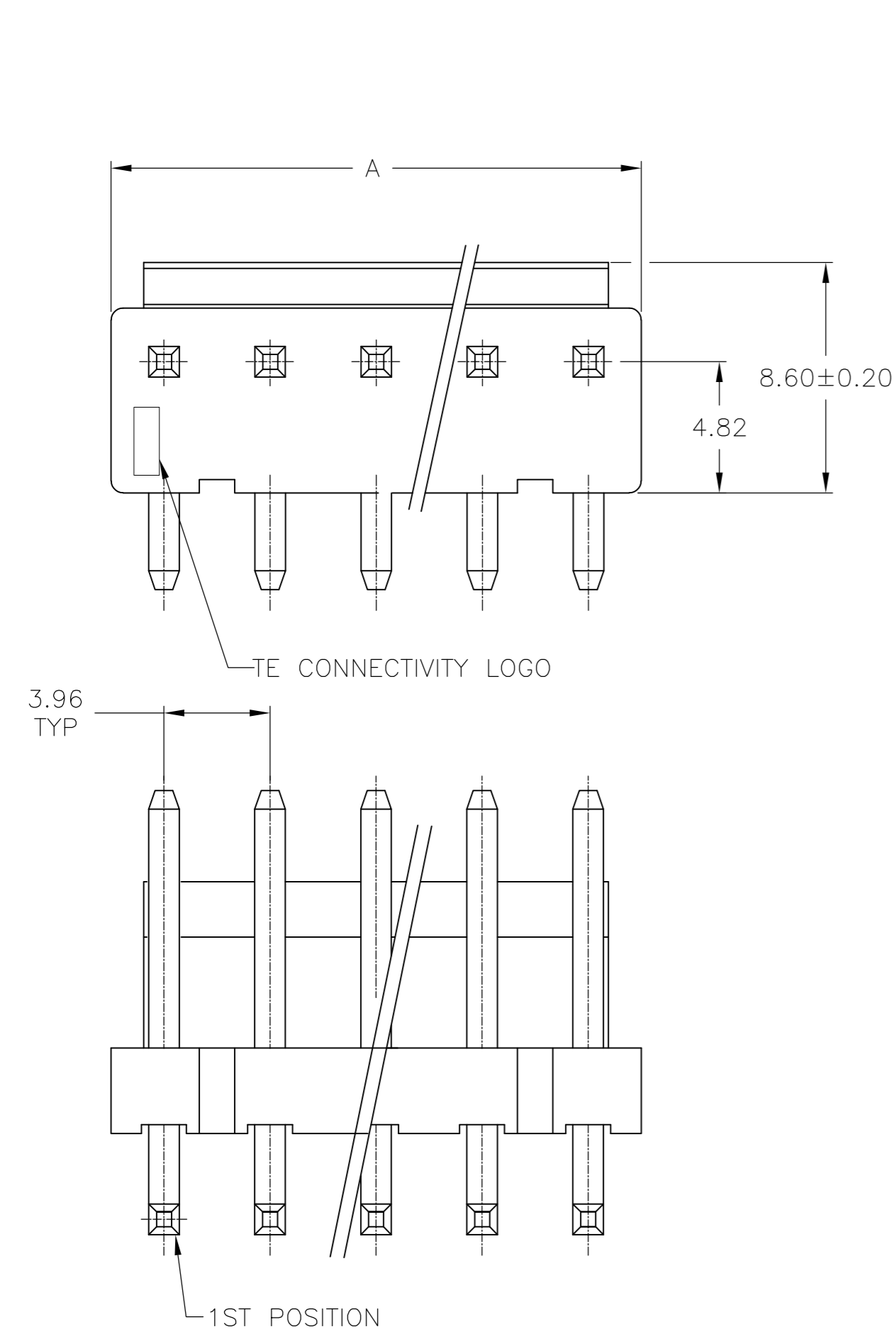


THIS DRAWING IS UNPUBLISHED. RELEASED FOR PUBLICATION
 © COPYRIGHT - By - ALL RIGHTS RESERVED.

LOC		DIST		REVISIONS			
P	LTR	DESCRIPTION		DATE	DWN	APVD	
CM	00	B		REVISED PER ECO-12-007409	20JUL12	KH SM	



- MATERIAL :
HOUSING : THERMOPLASTIC Nylon66UL94V-0.
WHITE COLOR.
CONTACT : BRASS.
- FINISH:
CONTACT : 80u" MIN. TIN PLATED ON CONTACT AREA.

47.52	12	1-647676-2
43.56	11	1-647676-1
39.60	10	1-647676-0
35.64	9	647676-9
31.68	8	647676-8
27.72	7	647676-7
23.76	6	647676-6
19.80	5	647676-5
15.84	4	647676-4
11.88	3	647676-3
7.92	2	647676-2
DIM. A CIRCUITS		PART NUMBER

METRIC

THIS DRAWING IS A CONTROLLED DOCUMENT.		DWN	K. WHITAKER	22JUL04		TE Connectivity				
DIMENSIONS:		CHK	D. BOSSI	22JUL04		NAME				
mm		APVD	D. BOSSI	22JUL04		ASSEMBLY, EP HEADER, RIGHT ANGLE				
TOLERANCES UNLESS OTHERWISE SPECIFIED:		PRODUCT SPEC				-				
0 PLC ± 0.3		APPLICATION SPEC			SIZE			CAGE CODE	DRAWING NO	RESTRICTED TO
1 PLC ± 0.25		-			A2			00779	C=647676	-
2 PLC ± 0.12		-			WEIGHT			-	-	-
3 PLC ± 0.05		-			CUSTOMER DRAWING			SCALE	SHEET	REV
4 PLC ± -		-			5:1			1 of 1	B	
ANGLES ± 3'0"		-			-					
MATERIAL		-			-					
FINISH		-			-					